



Rocket® Host Access Analyzer

(formerly a Micro Focus® product)



Rocket Host Access Analyzer (RHAA) monitors all terminal emulators, including IBM®, Rocket Software, and others. With its inventory and monitoring capabilities, RHAA solves customers' immediate risk prevention and control needs without the usual vendor barrier of a product migration.

Product highlights



Endpoint inventory and analysis

Rocket Host Access Analyzer retrieves real-time usage information allowing organizations to have an accurate view of software deployment and a clear vision of user configurations across the organization. Based on this data, organizations can assess exposure to risk and vulnerabilities, ensure compliance with regulations, gain insights into how well internal policies are followed, and control license usage. This information helps organizations plan infrastructure changes or monitor for non-standard end user configuration activity.



Scalable monitoring

The filtering capabilities of Rocket Host Access Analyzer allow you to apply features at the organization level, the individual and everything in between.



Assistants

Rocket Host Access Analyzer contains assistants that highlight actions that need to be taken against the install base. This allows you to perform analysis on needed actions for the host system.



Consolidated inventory

Knowing the inventory of what is on your system allows you to plan environment changes such as an OS or product upgrade or migration to a newer version or product.



Host connection monitoring

Rocket Host Access Analyzer provides you with the ability to view usage and load of host connections through host connection monitoring. This allows you to know who connects to your hosts applications and how those connections are made. This monitoring is the first step towards controlling your environment.



Dashboarding and reporting

The Business Value Dashboard is a lightweight solution that presents information, represented by tags. This dashboard gives you an instant view of your install base and its health, security and complexity. View end user terminal emulator usage and the business added value that has been built on to it. Focus actions on highlighted, important items, instead of constantly chasing problems, without resolving your most important issues. Dashboards and visualizations can be created and shared between users.



License monitoring

Based on inventory, your assets manager can know what is installed and used on your devices.



Alternative license model monitoring

Named and Concurrent Users license models are becoming more common. Based on real usage, you can monitor these two alternative license models.



Change impact anticipation

By analyzing and knowing your infrastructure, you can anticipate the impact of any changes such as an OS upgrade or a security level change.

Product highlights



Comprehensive scanner

Rocket Host Access Analyzer allows you to add any software product to its reporting and analysis functionality allowing you to view user configurations across the organization for added product(s).



Dedicated dashboards

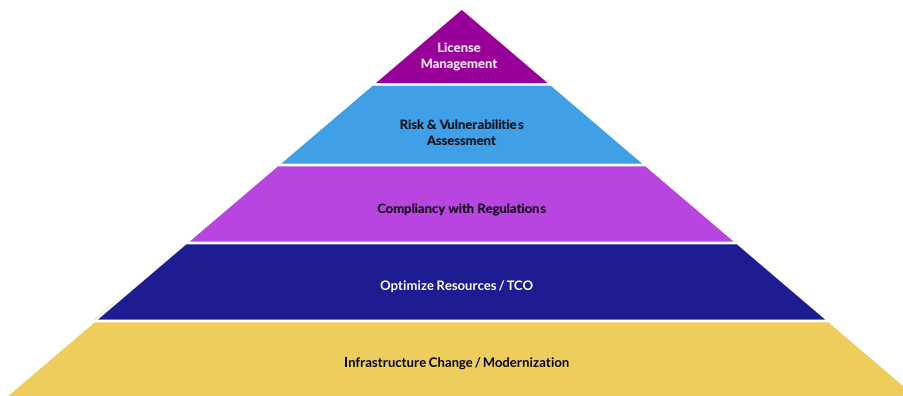
Spot problems with one click, and plan actions based on resolution advice proposed by Rocket Host Access Analyzer. Filter and select desktops that have problems and then act offline to resolve them.



Improving security

By monitoring connections, you can detect unsecure access to your host applications, and then fix these vulnerabilities to improve the security level of your infrastructure.

RHAA Action Fields



Key benefits



Universal monitoring

Monitor all terminal emulator solutions equally.



Host connection monitoring

Monitor all host connections to view usage and load.



Comprehensive scanner

Add any software to the reporting and analysis functionality.



Dashboard and reporting

Get an accurate view of the install base to identify dual usage, over deployment, etc.



Dedicated dashboards

Spot problems, with one click, and plan actions based on resolution advice proposed by Rocket Host Access Analyzer.



Endpoint inventory and analysis

View an exhaustive host access inventory of all endpoints including, products and assets.

Key features

New Support for all terminal emulator vendors

New Support for VBA scripts in Microsoft Excel

New Ability to Export and Import Dashboards

Change Impact Anticipation

Reduce Infrastructure Management Costs

Policy Enforcement

License Monitoring

Quick view

Impact Free Windows Agent

Scalable Server Architecture

Zero Footprint Application

Key benefits



Improving security

Detect unsecure access to your host applications and then fix these vulnerabilities.



Assistants

Perform analysis based on a set of assistants that will highlight actions that need to be taken against the install base.



Consolidated inventory

View the inventory of what is on your system.



Alternative license model monitoring

Monitor Named and Concurrent Users license models.



Scalable monitoring

Apply features at the organization level, the individual and everything in-between.



Microsoft VBA support in Excel

Detect and analyze VBA scripts included in Excel that use Terminal Emulator connectivity.



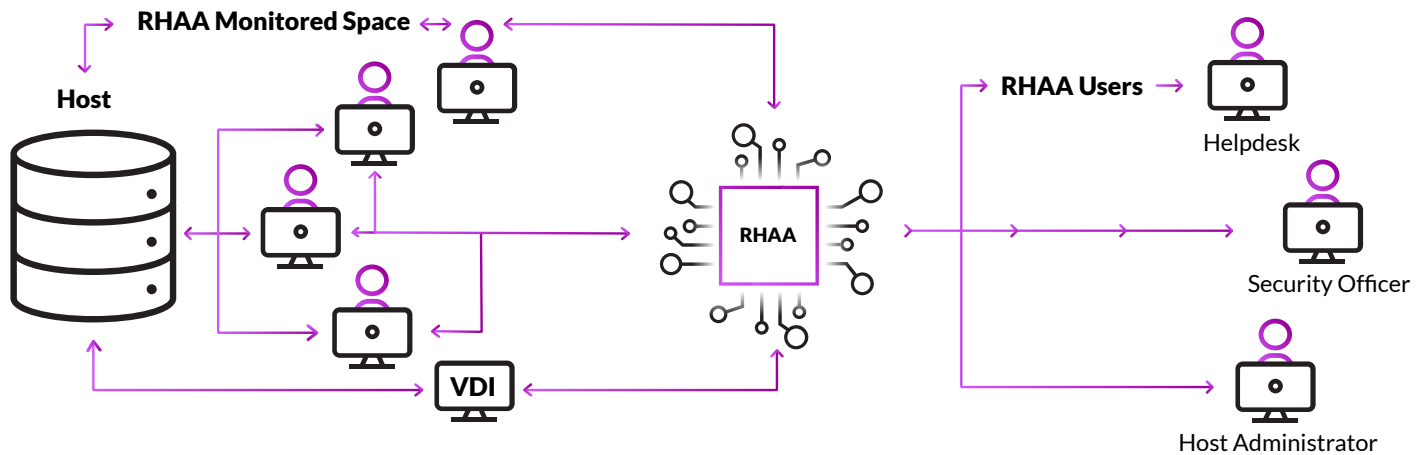
License monitoring

Know what is installed and used on your devices.



Change impact anticipation

Anticipate the impact of changes such as an OS upgrade or a security level change.



RHAH agents collect data without disturbing end-users on their workstations and centralize them on its BI servers. RHAH Users leverage these data depending on their own profile.



Modernization. Without Disruption.™

Visit RocketSoftware.com >

© Rocket Software, Inc. or its affiliates 2024. All rights reserved. Rocket and the Rocket Software logos are registered trademarks of Rocket Software, Inc. Other product and service names might be trademarks of Rocket Software or its affiliates.

Micro Focus® is a registered trademark of Micro Focus IP Development Ltd. Rocket Software is not affiliated with Micro Focus IP Development Ltd.

MAR-10493_DS_HostAccessAnalyzer_V3

Learn more

